

PNM-9084RQZ

2MP x 4CH IR PTRZ Multi-directional Camera

Network



Key Features

- Motorized PTRZ support
- Max. 60fps@2MP(H.265, H.264)
- 3.2~10mm(3.1x) motorized varifocal lens
- IR viewable length : 30m
- H.265, H.264, MJPEG codec, Multi streaming
- Video analytics, WiseStream II
- IP66, IK10, NEMA4X

Compatible Accessories (Optional)



SBP-390MMW2



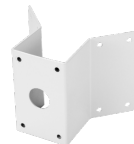
SBP-317HMW



SBP-300LMW



SBP-300NBW



SBP-300KMW



SBP-300PMW



SBP-300CMW

| Video | |
|-----------------------------|--|
| Imaging Device | 1/2.8" CMOS x 4CH |
| Resolution | 1920x1080, 1280x1024, 1280x960, 1280x720, 1024x768, 800x600, 800x448, 720x576, 720x480, 640x480, 640x360, 320x240 |
| Max. Framerate | H.265/H.264: Max. 60fps/50fps(60Hz/50Hz) MJPEG: Max. 30fps/25fps(60Hz/50Hz) |
| Min. Illumination | Color: 0.05lux(F1.6,30 IRE) BW: 0Lux(IR LED on) |
| Lens | |
| Focal Length (Zoom Ratio) | 3.2~10mm(3.1x) motorized varifocal |
| Max. Aperture Ratio | F1.6(Wide)~F2.9(Tele) |
| Angular Field of View | H: 109.0°(Wide)~33.2°(Tele), V: 57.4°(Wide)~18.7°(Tele), D: 132.0°(Wide)~38.0°(Tele) |
| Min. Object Distance | 0.5m(1.64ft) |
| Focus Control | Simple focus |
| Lens Type | DC auto iris |
| Pan / Tilt / Rotate | |
| Pan / Tilt / Rotate Range | Remote adjustment (Max. 200cycles) 0~360 / 30~80 / 0~90 |
| Operational | |
| Camera Title | Displayed up to 85 characters |
| Day & Night | Auto(ICR) |
| Backlight Compensation | BLC, HLC, WDR, SSSDR |
| Wide Dynamic Range | 120dB |
| Digital Noise Reduction | SSNR V |
| Digital Image Stabilization | Support (built-in gyro sensor) |
| Defog | Support |
| Motion Detection | 8ea, 8point polygonal zones |
| Privacy Masking | 32ea, polygonal zones - Color: Grey, Green, Red, Blue, Black, White - Mosaic |
| Gain Control | Low / Middle / High |
| White Balance | ATW / AWC / Manual / Indoor / Outdoor |
| LDC | Support |
| Electronic Shutter Speed | Minimum / Maximum / Anti flicker (2~1/12,000sec) |
| Video Rotation | Flip, Mirror |
| Analytics | Defocus detection, Directional detection, Fog detection, Face detection, Motion detection, Appear/Disappear, Enter/Exit, Loitering, Tampering, Virtual line, Audio detection |
| Alarm I/O | Input 1ea / Output 1ea |
| Alarm Triggers | Analytics, Network disconnect, Alarm input |

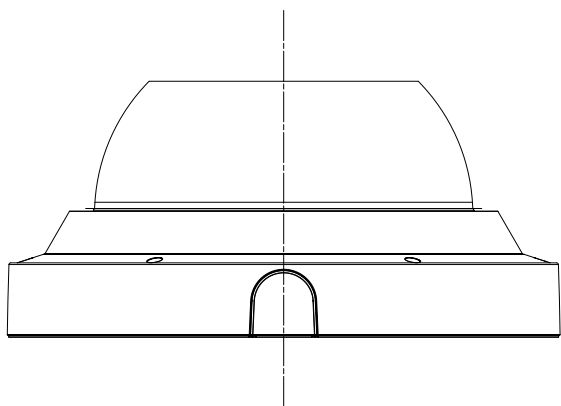
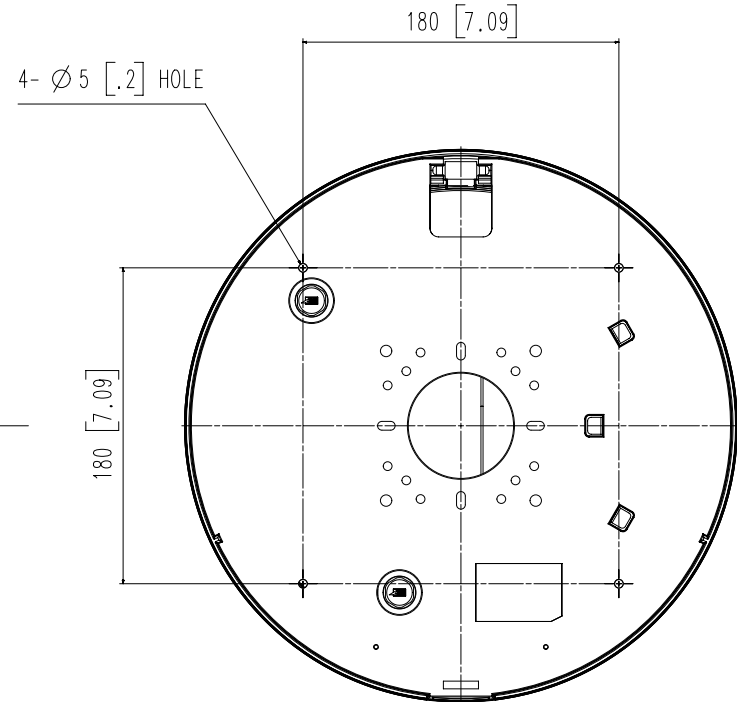
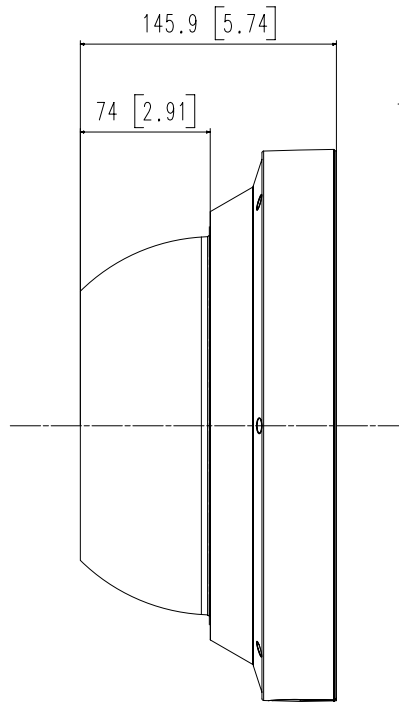
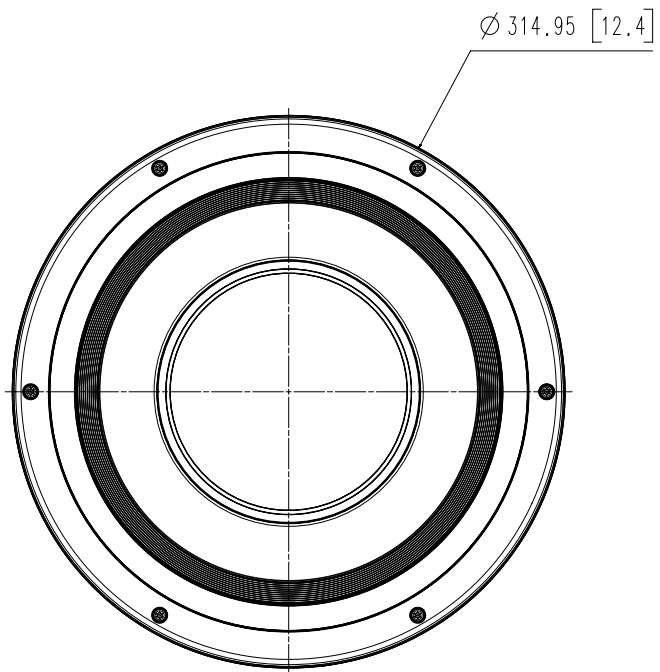
| | |
|---------------------------------------|---|
| Alarm Events | File upload via FTP and e-mail Notification via e-mail SD/SDHC/SDXC at event triggers Alarm output Handover |
| Audio In | Selectable(mic in/line in) Supply voltage: 2.5VDC(4mA), Input impedance: 2K Ohm |
| Audio Out | Line out, Max.output level: 1Vrms |
| Network | |
| Ethernet | Metal shielded RJ-45(10/100/1000BASE-T) |
| Video Compression | H.265/H.264: Main/Baseline/High, MJPEG |
| Audio Compression | G.711 u-law /G.726 G.726(ADPCM) 8KHz, G.711 8KHz G.726: 16Kbps, 24Kbps, 32Kbps, 40Kbps AAC-LC: 48Kbps at 16KHz |
| Smart Codec | Manual(5ea area), WiseStream II |
| Bitrate Control | H.264/H.265: CBR or VBR MJPEG: VBR |
| Streaming | Unicast(20 users) / Multicast Multiple streaming(Up to 10 profiles) |
| Protocol | IPv4, IPv6, TCP/IP, UDP/IP, RTP(UDP), RTP(TCP), RTCP,RTSP, NTP, HTTP, HTTPS, SSL/TLS, DHCP, FTP, SMTP, ICMP, IGMP, SNMPv1/v2c/v3(MIB-2), ARP, DNS, DDNS, QoS, PIM-SM, UPnP, Bonjour, LLDP |
| Security | HTTPS(SSL) Login Authentication Digest Login Authentication IP Address Filtering User access log 802.1X Authentication(EAP-TLS, EAP-LEAP) Device Certificate(Hanwha Techwin Root CA) |
| Application Programming Interface | ONVIF Profile S/T SUNAPI(HTTP API) Wisenet open platform |
| General | |
| Webpage Language | English, Korean, Chinese, French, Italian, Spanish, German, Japanese, Russian, Swedish,, Portuguese, Czech, Polish, Turkish, Dutch, Hungarian, Greek |
| Edge Storage | Micro SD/SDHC/SDXC 4slot 256GB(each CH) |
| Memory | 5GB RAM, 1280MB Flash |
| Environmental & Electrical | |
| Operating Temperature / Humidity | -40°C~+55°C(-40°F~+131°F) / Less than 90% RH |
| Storage Temperature / Humidity | -50°C~+60°C(-58°F~+140°F) / Less than 90% RH |
| Certification | IP66, IK10, NEMA4X |
| Input Voltage | HPoE(IEEE802.3bt, Class6, Type3, Injector included), 12VDC |
| Power Consumption | PoE: Max. 42 W, Typical 30 W 12VDC: Max. 38 W, Typical 28.2 W |
| Mechanical | |
| Color / Material | White / Aluminum |

| | |
|-----------------------------------|--|
| RAL Code | RAL9003 |
| Product Dimensions / Weight | Ø315x145.9 mm(12.40"x5.74") / 5.2 kg(11.5lb) |
| Compatible Conduit hole / Gangbox | 3/4" |

| | |
|----------------------------------|--|
| DORI (EN62676-4 standard) | |
|----------------------------------|--|

| | |
|---------------------------|---|
| Detect (25PPM/ 8PPF) | Wide: 27.4m(89.9ft) / Tele: 128.8m(422.6ft) |
| Observe (63PPM/ 19PPF) | Wide: 62.5m(35.9ft) / Tele: 51.5m(169.0ft) |
| Recognize (125PPM/ 38PPF) | Wide: 5.5m(18.0ft) / Tele: 25.8m(84.5ft) |
| Identify (250PPM/ 76PPF) | Wide: 2.7m(9.0ft) / Tele: 12.9m(42.3ft) |

- The latest product information / specification can be found at hanwha-security.com
- Design and specifications are subject to change without notice.
- Wisenet is the proprietary brand of Hanwha Techwin, formerly known as Samsung Techwin.



| | | |
|------------------|--------------------------|-----------|
| | | |
| 1 | PNM-9084RQZ, PNM-9085RQZ | '19.10.01 |
| No. | MODEL NAME | DATE |
| Unit:mm[inch] | | SCALE:1/1 |
| © Hanwha Techwin | | |