

PNM-9085RQZ

5MP x 4CH IR PTRZ Multi-directional Camera

Network



Key Features

- Motorized PTRZ support
- Max. 30fps@5MP(H.265, H.264)
- 4.13~9.4mm(2.3x) motorized varifocal lens
- IR viewable length : 30m
- H.265, H.264, MJPEG codec, Multi streaming
- Video analytics, WiseStream II
- IP66, IK10, NEMA4X

Compatible Accessories (Optional)



SBP-390WMW2



SBP-317HMW



SBP-300LMW



SBP-300NBW



SBP-300KMW



SBP-300PMW



SBP-300CMW

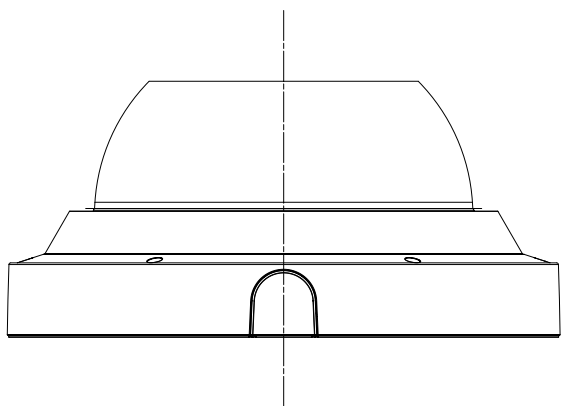
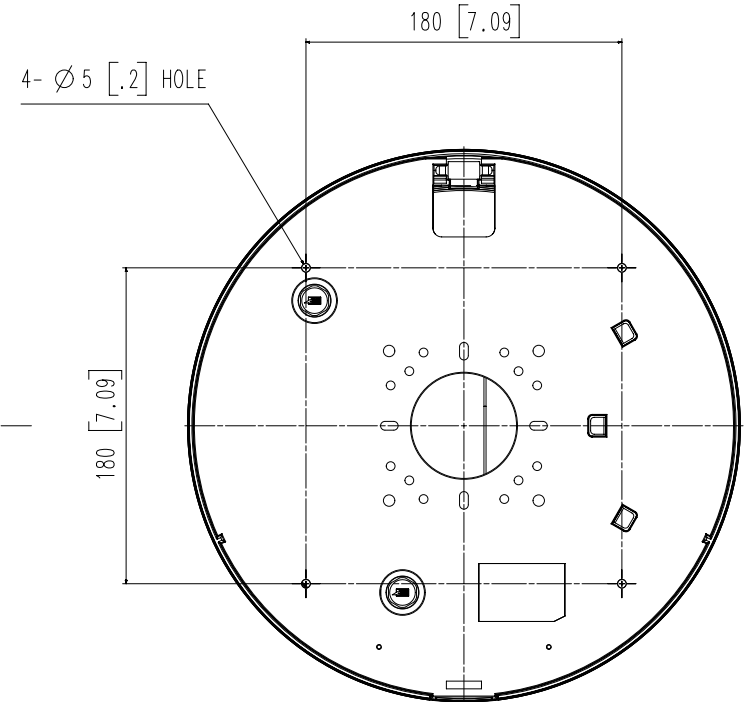
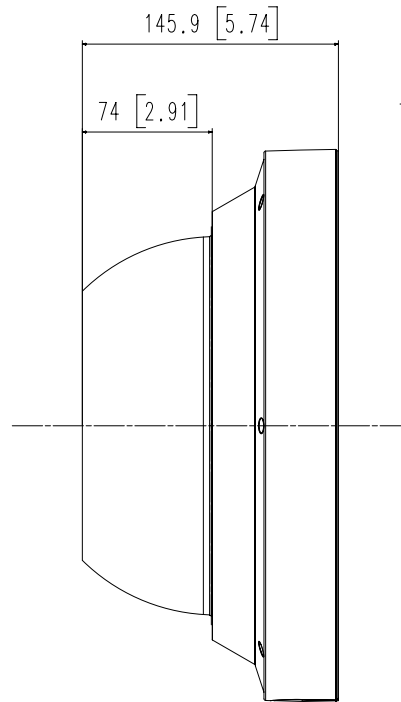
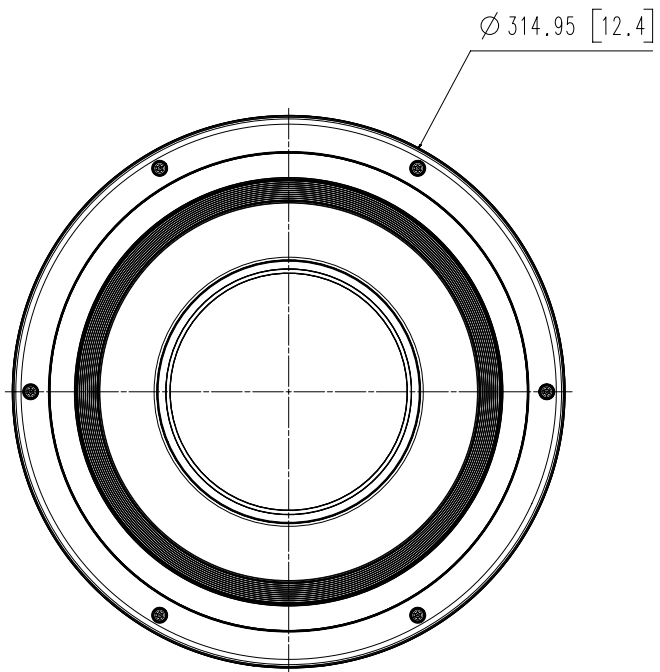
Video	
Imaging Device	1/1.8" 5MP CMOS x 4CH
Resolution	2560x1920, 2560x1440, 1920x1080, 1600x1200, 1280x1024, 1280x960, 1280x720, 1024x768, 800x600, 800x448, 720x576, 720x480, 640x480, 640x360, 320x240
Max. Framerate	Max. 30fps/25fps (60Hz/50Hz) at all resolutions Max. 30fps/25fps (60Hz/50Hz)
Min. Illumination	Color: 0.11lux(F1.6,30 IRE) BW: 0Lux(IR LED on)
Lens	
Focal Length (Zoom Ratio)	4.13~9.4mm(2.3x)motorized varifocal
Max. Aperture Ratio	F1.92(Wide)~F2.67(Tele)
Angular Field of View	H: 87.58°(Wide)~37.34°(Tele) / V: 64.58°(Wide)~28.04°(Tele) / D: 112.46°(Wide)~46.85°(Tele)
Min. Object Distance	1.2m(3.94ft)
Focus Control	Simple focus
Lens Type	DC auto iris
Pan / Tilt / Rotate	
Pan / Tilt / Rotate Range	Remote adjustment (Max. 200cycles) 0~360 / 35~80 / 0~90
Operational	
Camera Title	Displayed up to 85 characters
Day & Night	Auto(ICR)
Backlight Compensation	BLC, HLC, WDR, SSSDR
Wide Dynamic Range	120dB
Digital Noise Reduction	SSNR V
Digital Image Stabilization	Support (built-in gyro sensor)
Defog	Support
Motion Detection	8ea, 8point polygonal zones
Privacy Masking	32ea, polygonal zones - Color: Grey, Green, Red, Blue, Black, White - Mosaic
Gain Control	Low / Middle / High
White Balance	ATW / AWC / Manual / Indoor / Outdoor
LDC	Support
Electronic Shutter Speed	Minimum / Maximum / Anti flicker (2~1/12,000sec)
Video Rotation	Flip, Mirror
Analytics	Defocus detection, Directional detection, Fog detection, Face detection, Motion detection, Appear/Disappear, Enter/Exit, Loitering, Tampering, Virtual line, Audio detection
Alarm I/O	Input 1ea / Output 1ea
Alarm Triggers	Analytics, Network disconnect, Alarm input

Alarm Events	File upload via FTP and e-mail Notification via e-mail SD/SDHC/SDXC at event triggers Alarm output Handover
Audio In	Selectable(mic in/line in) Supply voltage: 2.5VDC(4mA), Input impedance: 2K Ohm
Audio Out	Line out, Max.output level: 1Vrms
Network	
Ethernet	Metal shielded RJ-45(10/100/1000BASE-T)
Video Compression	H.265/H.264: Main/Baseline/High, MJPEG
Audio Compression	G.711 u-law /G.726 G.726(ADPCM) 8KHz, G.711 8KHz G.726: 16Kbps, 24Kbps, 32Kbps, 40Kbps AAC-LC: 48Kbps at 16KHz
Smart Codec	Manual(5ea area), WiseStream II
Bitrate Control	H.264/H.265: CBR or VBR MJPEG: VBR
Streaming	Unicast(20 users) / Multicast Multiple streaming(Up to 10 profiles)
Protocol	IPv4, IPv6, TCP/IP, UDP/IP, RTP(UDP), RTP(TCP), RTCP,RTSP, NTP, HTTP, HTTPS, SSL/TLS, DHCP, FTP, SMTP, ICMP, IGMP, SNMPv1/v2c/v3(MIB-2), ARP, DNS, DDNS, QoS, PIM-SM, UPnP, Bonjour, LLDP
Security	HTTPS(SSL) Login Authentication Digest Login Authentication IP Address Filtering User access log 802.1X Authentication(EAP-TLS, EAP-LEAP) Device Certificate(Hanwha Techwin Root CA)
Application Programming Interface	ONVIF Profile S/T SUNAPI(HTTP API) Wisenet open platform
General	
Webpage Language	English, Korean, Chinese, French, Italian, Spanish, German, Japanese, Russian, Swedish,, Portuguese, Czech, Polish, Turkish, Dutch, Hungarian, Greek
Edge Storage	Micro SD/SDHC/SDXC 4slot 256GB(each CH)
Memory	5GB RAM, 1280MB Flash
Environmental & Electrical	
Operating Temperature / Humidity	-40°C~+55°C(-40°F~+131°F) / Less than 90% RH
Storage Temperature / Humidity	-50°C~+60°C(-58°F~+140°F) / Less than 90% RH
Certification	IP66, IK10, NEMA4X
Input Voltage	HPoE(IEEE802.3bt, Class6, Type3, Injector included), 12VDC
Power Consumption	PoE: Max. 45 W, Typical 33.7 W 12VDC: Max. 42 W, Typical 32 W
Mechanical	
Color / Material	White / Aluminum

RAL Code	RAL9003
Product Dimensions / Weight	Ø315x145.9 mm(12.40"x5.74") / 5.2 kg(11.5lb)
Compatible Conduit hole / Gangbox	3/4"

DORI (EN62676-4 standard)	
Detect (25PPM/ 8PPF)	Wide: 53.4m(175.2ft) / Tele: 151.5m(497.1ft)
Observe (63PPM/ 19PPF)	Wide: 21.4m(70.1ft) / Tele: 60.6m(198.9ft)
Recognize (125PPM/ 38PPF)	Wide: 10.7m(35.0ft) / Tele: 30.3m(99.4ft)
Identify (250PPM/ 76PPF)	Wide: 5.3m(17.5ft) / Tele: 15.2m(49.7ft)

- The latest product information / specification can be found at hanwha-security.com
- Design and specifications are subject to change without notice.
- Wisenet is the proprietary brand of Hanwha Techwin, formerly known as Samsung Techwin.



1	PNM-9084RQZ, PNM-9085RQZ	'19.10.01
No.	MODEL NAME	DATE
Unit:mm[inch]		SCALE:1/1
© Hanwha Techwin		