



Network

Dome

XNV-6083R

2MP AI IR Vandal Dome Camera

FC | UL | CE | ENEC

Key Features

- 2MP resolution
- 2.8~12mm (4.3x) motorized varifocal
- Color: 0.01Lux(F1.4, 1/30sec, 30IRE), 0 Lux (IR LED on)
- Maximum 120 fps (H.265/H.264)
- WiseIR: IR viewable length 50 m (164.04 ft)
- Day & Night (ICR), extremeWDR (150 dB)
- Hard-coated dome bubble
- WiseNR II (Based on AI engine), WiseStreamIII (Based on AI engine)
- Analytics events based on AI engine (NPU) : Object detection (Person/Face/Vehicle - car, truck, bus, bicycle, motorcycle/License plate), IVA (Virtual line/Area, Enter/Exit, Loitering, Direction, Intrusion)
- Analytics events : Defocus detection, Motion detection, Tampering, Fog detection
Audio detection, Sound classification, Shock detection, Appear/Disappear
- IP66/IP67/IP6K9K, NEMA4X, IK10+

Compatible Accessories (Optional)



SBP-187HMW



XNV-6083R

2MP AI IR Vandal Dome Camera

Specifications

Video

| | |
|--------------------------|---|
| Imaging Device | 1/2.8" progressive CMOS |
| Resolution | 1920x1080, 1280x1024, 1280x960, 1280x720, 1024x768, 800x600, 800x448, 720x576, 720x480, 640x480, 640x360, 320x240 |
| Max. Framerate | H.265/H.264: Max. 120fps/100fps(60Hz/50Hz)(WDR off) Max. 60fps/50fps(60Hz/50Hz)(WDR on) MJPEG: Max. 30fps/25fps(60Hz/50Hz) |
| Min. Illumination | Color: 0.01Lux(F1.4, 1/30sec, 30IRE) B/W : 0.001Lux(F1.4, 1/30sec, 30IRE), 0Lux(IR LED on), 30/25fps Color: 0.02Lux(F1.4, 1/60sec, 30IRE) B/W : 0.002Lux(F1.4, 1/60sec, 30IRE), 0Lux(IR LED on), 60/50fps Color: 0.04Lux(F1.4, 1/120sec, 30IRE) B/W : 0.004Lux(F1.4, 1/120sec, 30IRE), 0Lux(IR LED on), 120/100fps |
| Video Out | CVBS: 1.0 Vp-p / 75Ω composite, 720x480(N), 720x576(P) for installation USB: Micro USB Type B, 1280x720 for installation |

Lens

| | |
|----------------------------------|---|
| Focal Length (Zoom Ratio) | 2.8~12mm(4.3x) motorized varifocal |
| Max. Aperture Ratio | F1.4(Wide) ~ F3.6(Tele) |
| Angular Field of View | H : 119.5°(Wide) ~ 27.9°(Tele) V : 62.8°(Wide) ~ 15.7°(Tele) D : 142.1°(Wide) ~ 32.0°(Tele) |
| Min. Object Distance | 0.5m(1.64ft) |
| Focus Control | Simple focus, Manual |
| Lens Type | DC auto iris with hall sensor (IR corrected) |

Pan / Tilt / Rotate

| | |
|----------------------------------|------------------------------|
| Pan / Tilt / Rotate Range | 0°~360° / -45°~85° / 0°~355° |
|----------------------------------|------------------------------|

Operational

| | |
|------------------------------------|--|
| Camera Title | Displayed up to 85 characters |
| Day & Night | Auto(ICR) |
| Backlight Compensation | BLC, HLC, WDR, SSSR |
| Wide Dynamic Range | extremeWDR (150dB) |
| Digital Noise Reduction | WiseNR II (Based on AI engine), SSNR V |
| Digital Image Stabilization | Support(built-in gyro sensor) |
| Defog | Support |
| Motion Detection | 8ea, 8point Polygonal zones |
| Privacy Masking | 32ea, Quadrangle zones - Color : Gray, Green, Red, Blue, Black, White - Mosaic |
| Gain Control | Support |
| White Balance | ATW / Narrow ATW / AWC / Manual / Indoor / Outdoor |
| LDC | Support (Fill/stretch mode) |
| Electronic Shutter Speed | Minimum / Maximum / Anti flicker (2~1/12,000sec) Prefer shutter control(Based on AI engine) |
| Video Rotation | Flip, Mirror, Hallway view(90°/270°) |

| | |
|------------------------------|--|
| Analytics | - Analytics events based on AI engine : Object detection (Person/Face/Vehicle(car/bus/truck/motorcycle/bicycle)/License plate), IVA (Virtual line/Area, Enter/Exit, Loitering, direction, Appear/Disappear, intrusion) - Analytics events : Defocus detection, Motion detection, Tampering, Fog detection, Audio detection, Sound classification, Shock detection |
| Business Intelligence | Based on AI engine : People counting, Queue management, Heatmap |
| Alarm I/O | 2 configurable I/O ports, DC 12V output(Max. 50mA) |
| Alarm Triggers | Analytics, Network disconnect, Alarm input, App event, Time schedule |
| Alarm Events | When alarm trigger occurred - File upload(image) : e-mail/FTP - Notification : e-mail - Recording : SD/SDHC/SDXC or NAS recording at event triggers - Alarm output - Handover(PTZ preset, Send message by HTTP/HTTPS/TCP) - Audio clip playback |
| Audio In | Selectable(mic in/line in) Supply voltage: 2.5VDC(4mA), Input impedance: 2K Ohm |
| Audio Out | Line out, Max.output level: 1Vrms |
| IR Viewable Length | WiseIR 50m(164.04ft) |

Network

| | |
|--|---|
| Ethernet | Metal shielded RJ-45(10/100/1000BASE-T) |
| Video Compression | H.265/H.264: Main/High, MJPEG |
| Audio Compression | G.711 u-law /G.726 Selectable G.726(ADPCM) 8KHz, G.711 8KHz G.726: 16Kbps, 24Kbps, 32Kbps, 40Kbps AAC-LC: 48Kbps at 16KHz |
| Smart Codec | Manual(5ea area), WiseStream II , WiseStreamIII(Based on AI engine) |
| Bitrate Control | H.264/H.265: CBR or VBR MJPEG: VBR |
| Streaming | Unicast(20 users) / Multicast Multiple streaming(Up to 10 profiles, 3 virtual channel support) |
| Protocol | IPv4, IPv6, TCP/IP, UDP/IP, RTP(UDP), RTP(TCP), RTCP,RTSP, NTP, HTTP, HTTPS, SSL/TLS, DHCP, FTP, SMTP, ICMP, IGMP, SNMPv1/v2c/v3(MIB-2), ARP, DNS, DDNS, QoS, UPnP, Bonjour, LLDP, SRTP (TCP, UDP Unicast) |
| Security | TPM 2.0 (FIPS 140-2 level 2) HTTPS(SSL) Login Authentication Digest Login Authentication IP Address Filtering User access log 802.1X Authentication(EAP-TLS, EAP-LEAP, EAP-PEAP MSCHAPv2) Device Certificate(Hanwha Techwin Root CA, pre-installed) Secure by default certificate Secure OS/Boot/Storage, Verify firmware forgery |
| Application Programming Interface | ONVIF Profile S/G/T SUNAPI(HTTP API) Wisenet open platform |

General

| | |
|-------------------------|--|
| Webpage Language | English, Korean, Chinese, French, Italian, Spanish, German, Japanese, Russian, Swedish,, Portuguese, Czech, Polish, Turkish, Dutch, Greek, Hungarian |
| Edge Storage | Micro SD/SDHC/SDXC 2slot Max. 1TB (512GB * 2) |
| Memory | 2GB RAM, 512MB Flash |

Environmental & Electrical

| | |
|---|---|
| Operating Temperature / Humidity | -50°C~+55°C(-58°F ~ +131°F) * Maximum temperature : +60°C (intermittent) NEMA TS-2 : 74°C * Start up should be done at above -30°C less than 95%RH(non-condensing) Humidity control /w GORE vent |
| Storage Temperature / Humidity | -50°C ~ +60°C(-58°F ~ +140°F) / Less than 90% RH |
| Certification | IP66/IP67/IP6K9K, NEMA4X, IK10+ |
| Input Voltage | PoE+(IEEE802.3at, Class4), 12VDC |
| Power Consumption | PoE+: Max 22.5W, typical 17.9W 12VDC: Max 20.0W, typical 15.6W Power redundancy failover |

Mechanical

| | |
|--|---|
| Color / Material | White / Aluminum Hard-coated dome bubble |
| RAL Code | RAL9003 |
| Product Dimensions / Weight | Ø180x125mm(7.09x4.92"), 1900g(4.19 lb) |
| Compatible Conduit hole / Gangbox | 3/4" (M25) single, double, 4" octagon, 4" square |

DORI (EN62676-4 standard)

| | |
|----------------------------------|---|
| Detect (25PPM/ 8PPF) | Wide: 22.4m(73.47ft) / Tele: 154.6m(507.18ft) |
| Observe (63PPM/ 19PPF) | Wide: 9.0m(29.39ft) / Tele: 61.8m(202.87ft) |
| Recognize (125PPM/ 38PPF) | Wide: 4.5m(14.69ft) / Tele: 30.9m(101.44ft) |
| Identify (250PPM/ 76PPF) | Wide: 2.2m(7.35ft) / Tele: 15.5m(50.72ft) |

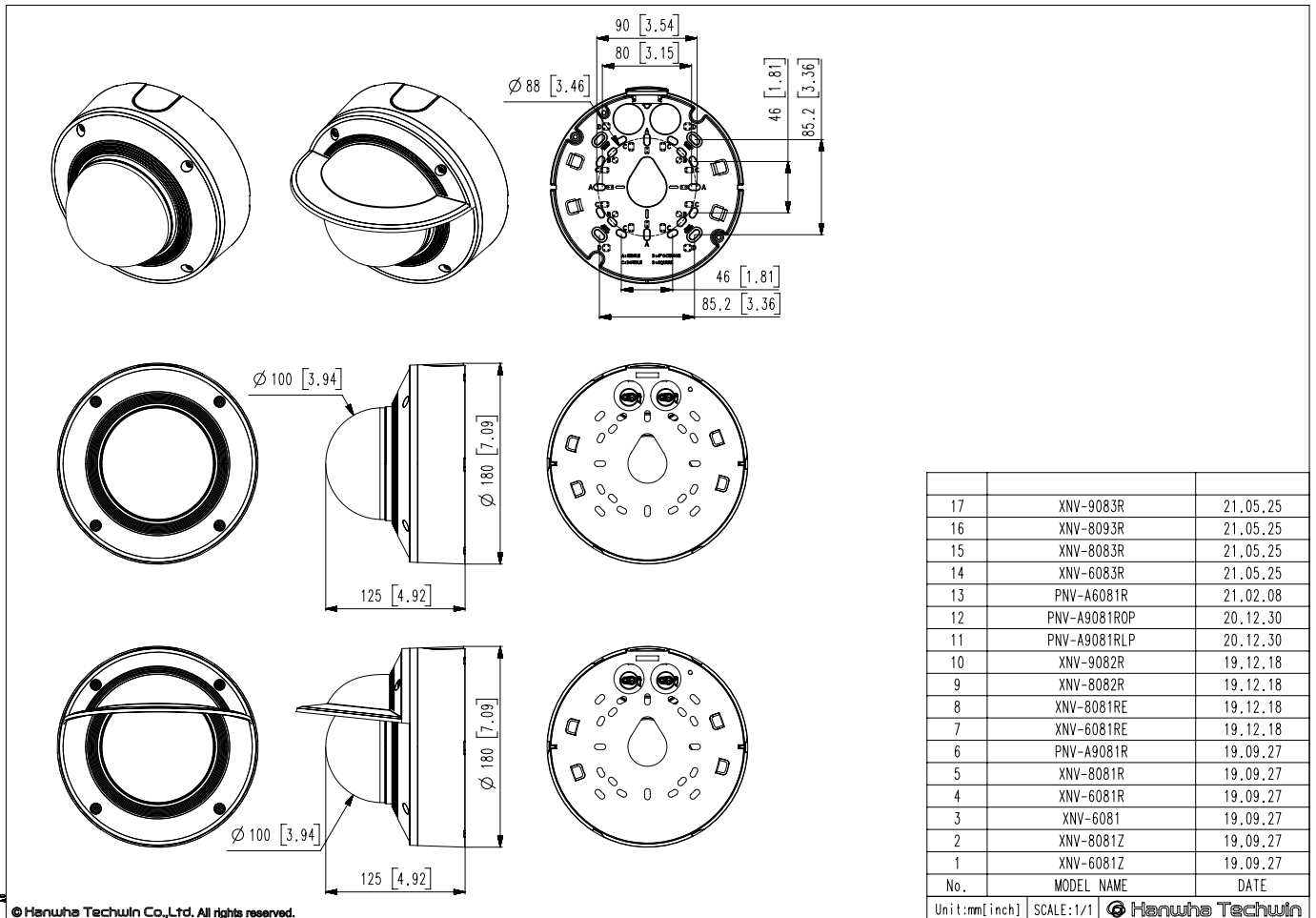
XNV-6083R

2MP AI IR Vandal Dome Camera



CAD

Unit: mm [inch]



© Hanwha Techwin Co.,Ltd. All rights reserved.