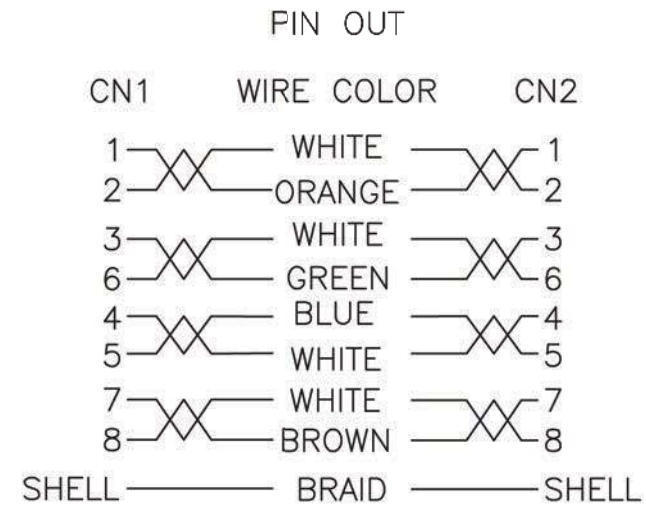


MATERIAL LIST:

NO.	PARTS NAME	SPECIFICATION DESCRIPTION
①	CABLE	SSTP (27AWG *1PR+A)*4+B+PVC or LSOH OD:5.6±0.2mm COLOR:Assorted upon request
②	RJ45 CONNECTOR	RJ45,8P8C,TWO FORK GOLD PLATED CONTACTS WITH METAL HOUSING
③	MOLDING PVC	MOLDING PVC 45P COLOR:Assorted upon request



REACH and ROHS2.0 compliant
 ELECTRONIC TEST:
 A.OPEN/SHORT/INTERMITTENCE: 100%.
 ISO/IEC 11801 ANSI/TIA 568C.2
 fluke Channel test pass

REMARK NO	CHA.NO	SIGNATURE	DATE
DRAWN BY	Renzhi	SIGN	W.T
CHECKED BY			SCALE
AUDITED BY		APPROVED BY	PAGE OF
CRAFT		DATE	2015.08.25

Alliance
 CAT6A S/FTP
 RÉFÉRENCE :
 ALLCOR6ASF X
 ALLCOR6ASF X GRZ